


AMERICAN
TECHNICAL
CERAMICS

TRANSMITTER CAPACITOR ASSEMBLIES

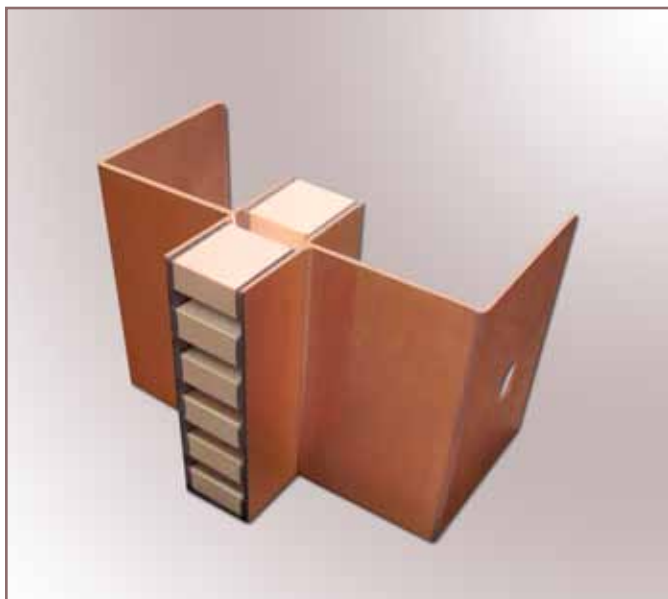


An Alternative to Fixed Vacuum Capacitors,
Doorknobs and Transmitter Capacitors

 THE
ENGINEERS'
CHOICE®



ISO 9001
REGISTERED
COMPANY



ATC Transmitter Capacitor Assemblies offer a cost effective alternative, replacing the need for fixed vacuum capacitors, doorknobs and transmitter capacitors.

About ATC Transmitter Capacitor Assemblies:

ATC is the leader in design and manufacture of high RF power ceramic capacitor assembly products with over 45 years experience in the industry. Our extensive line of high RF power capacitor assemblies offers a cost effective alternative to large and costly fixed vacuum capacitors, doorknobs and transmitter capacitors. ATC assemblies are ideal for the most demanding applications requiring high RF power at low frequencies. They are constructed with the finest materials and are engineered to provide the most reliable performance in the most demanding applications.

ATC's Transmitter Capacitor Assembly products are ideal for use in Plasma Generators and matching networks used in Semiconductor Manufacturing equipment, AM Broadcast Transmitters, RF Induction Heating, High Power HF amplifiers and many others.

Applications:

- High RF Power Matching Networks
- Antenna Tuning
- High RF Power Tuning Circuits
- High RF Power Output Filter Networks

Attributes:

- High RF Power Handling Capability
- 7200 Rated WVDC
- Ideal for Applications between 400 KHz to 30 MHz
- Rugged Porcelain Construction for Superior Dielectric Strength
- Heavy Cu Leads (0.020") with Punched Holes
- Highest Breakdown Voltage
- NPO and P90 Ultra Stable Dielectrics
- Available in Tight Tolerances

Sales of ATC products are subject to the terms and conditions contained in American Technical Ceramics Corp. Terms and Conditions of Sale (ATC document #001-992 Rev. B 12/05). Copies of these terms and conditions will be provided upon request. They may also be viewed on ATC's website at www.atceramics.com/productfinder/default.asp. Click on the link for Terms and Conditions of Sale.

ATC has made every effort to have this information as accurate as possible. However, no responsibility is assumed by ATC for its use, nor for any infringements of rights of third parties which may result from its use. ATC reserves the right to revise the content or modify its product without prior notice.

© 2001 American Technical Ceramics Corp. All Rights Reserved.

ATC # 001-1105; Rev A, 09/11

A M E R I C A N T E C H N I C A L C E R A M I C S

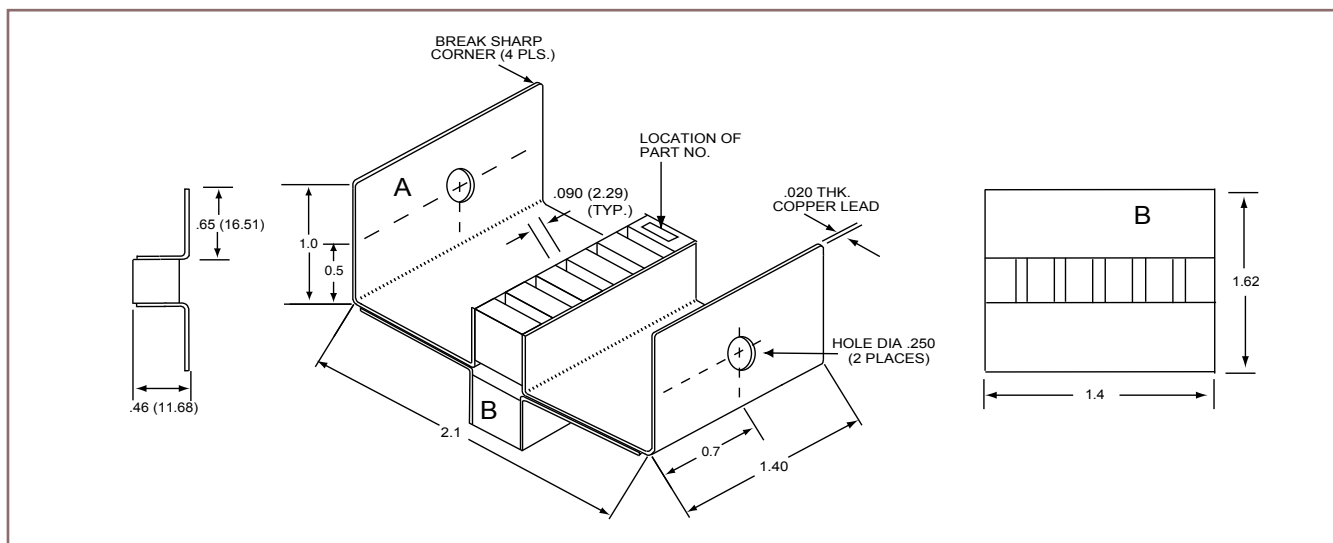
ATC North America
sales@atceramics.com

ATC Europe
saleseur@atceramics.com

ATC Asia
sales@atceramics-asia.com

www.atceramics.com

Mechanical Configurations:



NOTES: The Assembly pictured above is constructed with 100E Series Capacitors.
 Leads are attached to capacitors with SN05 Solder.
 Assembly is RoHS Compliant

Capacitance Value Table:

Capacitance Value (pF)	Number of Capacitors	Single Capacitance Value (pF)	Rms Current (1 cap.) @ 13.56 MHz	Rms Current (max.) @ 13.56 MHz	Mechanical Configuration
100	2	50	11	22	Single bracket
200	4	50	11	44	Single bracket
300	6	50	11	66	Single bracket
400	4	100	13	52	Single bracket
500	5	100	13	65	Single bracket
600	6	100	13	78	Single bracket
700	7	100	13	91	4 over 3
800	8	100	13	104	4 over 4
900	9	100	13	117	5 over 4
1000	10	100	13	130	5 over 5
1100	11	100	13	143	6 over 5
1200	12	100	13	156	6 over 6

Rated WVDC: 7200
 Available with 1% Tolerance

Notes:

For mechanical configuration see SK195101A.
 Alternate mechanical configurations available
 Custom values and tight tolerances available
 Please contact the factory for additional information and to discuss your specific design requirements.



AMERICAN

ATC North America
sales@atceramics.com

TECHNICAL

ATC Europe
saleseur@atceramics.com

CERAMICS

ATC Asia
sales@atceramics-asia.com

THE ENGINEERS' CHOICE™

www.atceramics.com



ISO 9001 REGISTERED
COMPANY